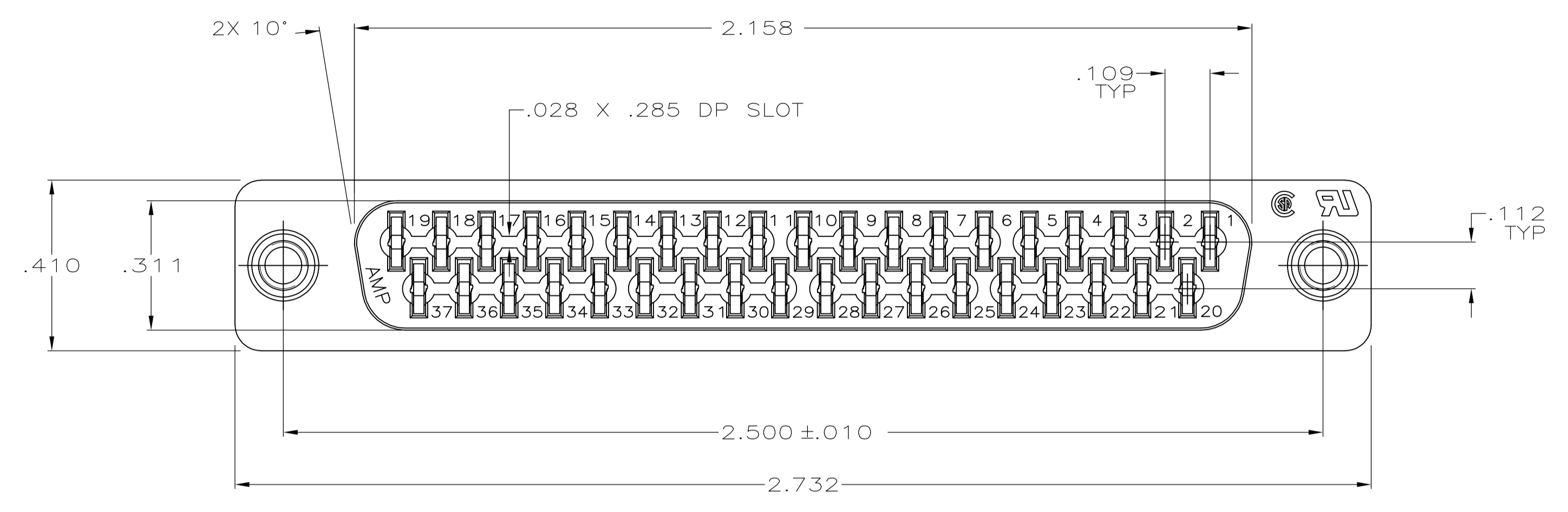
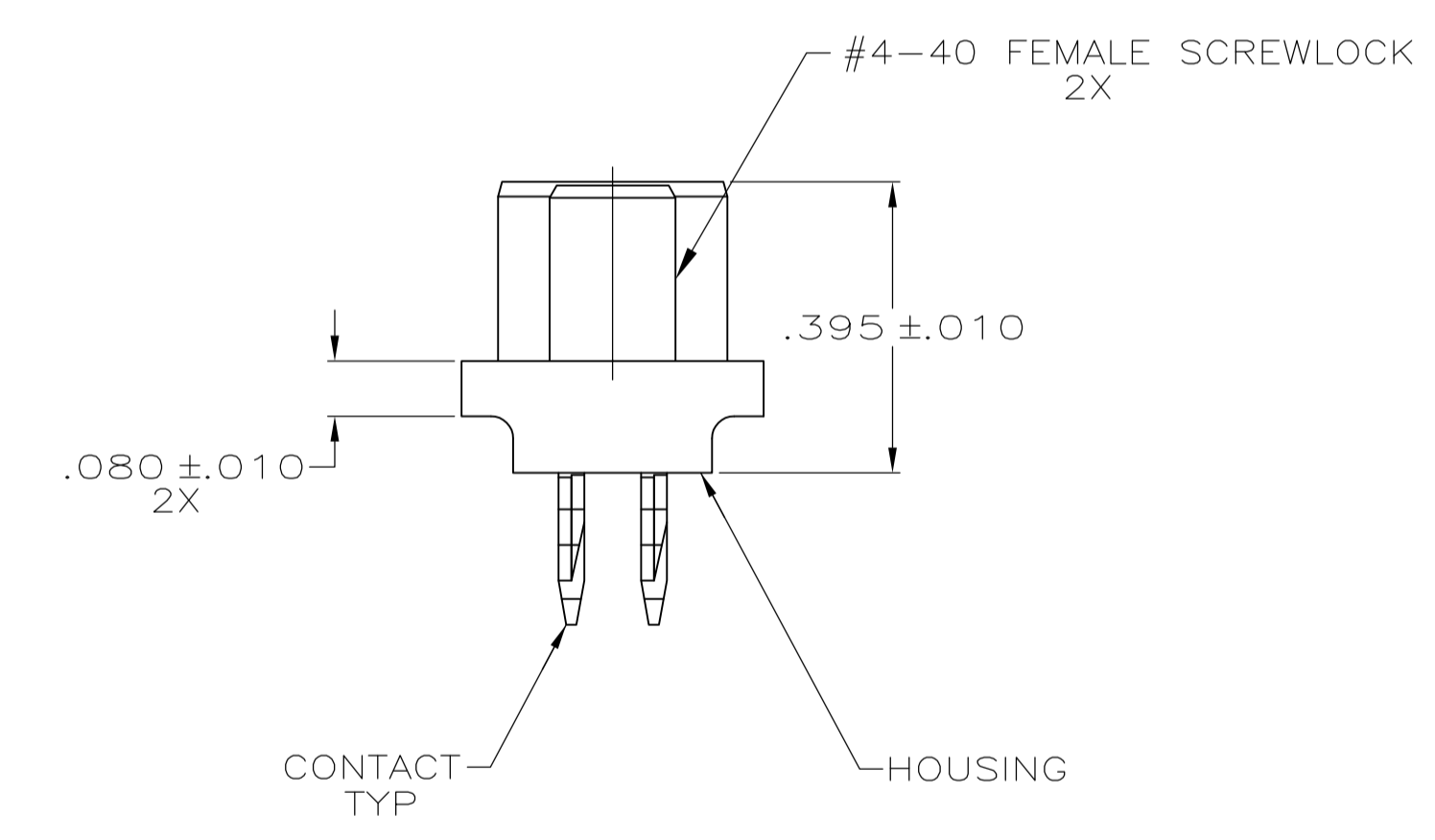
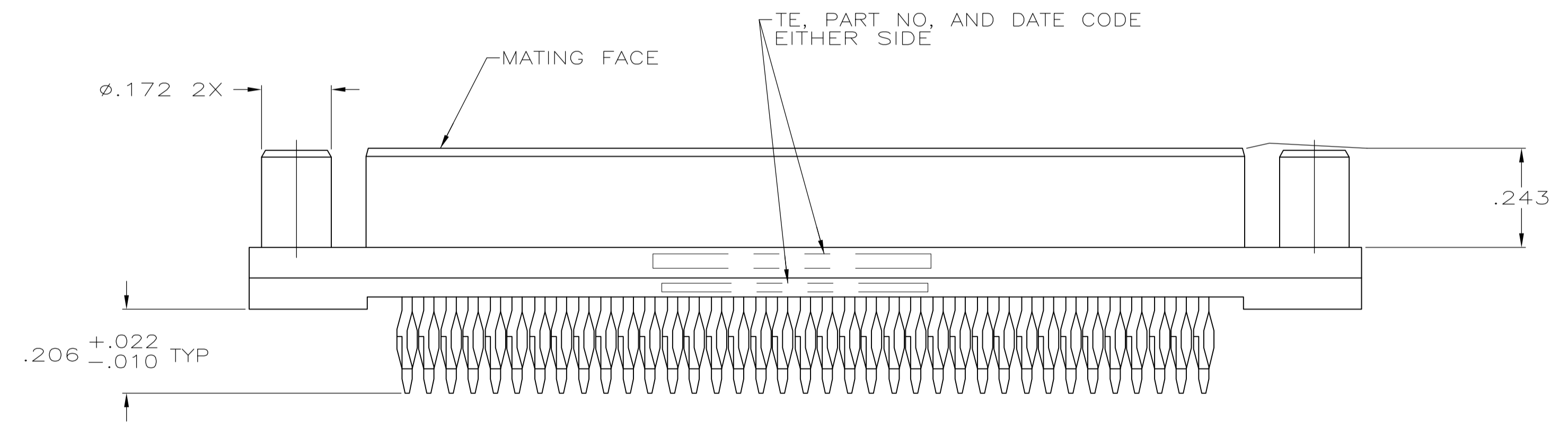


LOC		DIST		REVISIONS			
GP	00	REV	DATE	BY	CHK	APP	REV
C		REVISED PER ECO-12-000090	26JAN2012	CJV	SLB		



- 1 FOR USE WITH .093 MINIMUM THICK PRINTED CIRCUIT BOARD. REFER TO APPLICATION SPECIFICATION FOR PRINTED CIRCUIT BOARD LAYOUT DIMENSIONS AND FINISH RECOMMENDATIONS.
- 2 MATERIAL:
HOUSING: GLASS-FILLED NYLON OR POLYESTER, UL94V-0 RATED.
COLOR: BLACK
CONTACTS: COPPER-NICKEL ALLOY.
SCREWLOCKS: BRASS.
- 3 SCREWLOCKS: .000050 MIN NICKEL OVER COPPER FLASH.
- 4 CONTACTS:
0.76 MICROMETERS [.000030]MIN GOLD IN MATING AREA.
2.54 MICROMETERS [.000100]MIN TIN ON COMPLIANT PIN.
ALL OVER 1.27 MICROMETERS [.000050]MIN NICKEL.
OR
GOLD FLASH OVER PALLADIUM NICKEL.
0.76 MICROMETERS [.000030]MIN TOTAL IN MATING AREA.
2.54 MICROMETERS [.000100]MIN TIN ON COMPLIANT PIN.
ALL OVER 1.27 MICROMETERS [.000050]MIN NICKEL.



5745459-2
PART NUMBER

THIS DRAWING IS A CONTROLLED DOCUMENT.		DIN G. PETERS/DTI 04FEB06	TE Connectivity	
DIMENSIONS: INCHES		CHK S. BOLASH 04FEB06		
TOLERANCES UNLESS OTHERWISE SPECIFIED:		APP'D M. WALMSLEY 04FEB06	NAME RECEPTACLE ASSEMBLY, ACTION-PIN, 37 POSITION, HD-20, AMPLIMITE	
0 PLC ± -		PRODUCT SPEC	108-40014	
1 PLC ± -		APPLICATION SPEC	114-40026 1	
2 PLC ± -		SIZE	A1	
3 PLC ± .005		CAGE CODE	00779	
4 PLC ± -		DRAWING NO	5745459	
ANGLES ± -		RESTRICTED TO	-	
MATERIAL 2		WEIGHT	-	
FINISH 3 4		CUSTOMER DRAWING	SCALE 4:1 SHEET 1 OF 1 REV C	