

- NOTES  
 1. FOCAL LENGTH = 31.8mm  
 2. APPLICABLE BULB CAP: P21/5W(BAY15d)  
 3. MATES WITH

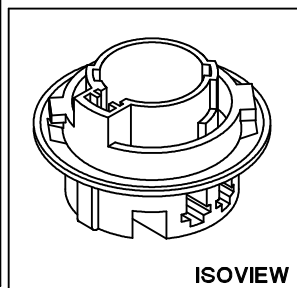
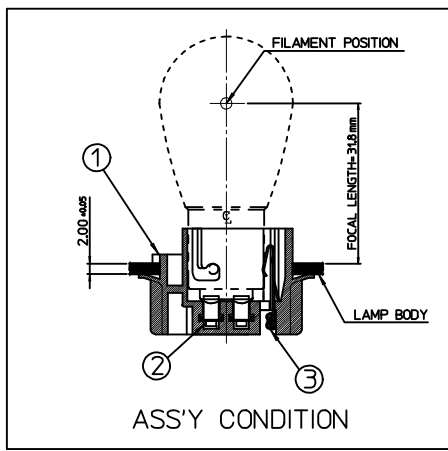
NO.	DESCRIPTION	MATERIAL	ORDER NO.	REMARK
②	POSITIVE TERMINAL	PHOSPHOR BRONZE	35438-8000	UNPLATED
③	EARTH TERMINAL	PHOSPHOR BRONZE	35439-8000	UNPLATED

<PART LIST>

NO.	DESCRIPTION	MATERIAL	USAGE	REMARK
①	DOUBLE SOCKET	PA66	1	A TYPE

<TABLE 1>

MATERIAL NO.	ORDER NO.	COLOR
355320301	35532-0301	BLACK
355320305	35532-0305	GRAY
355320306	35532-0306	WHITE



REVISED  
 EC NO: KTR2015-0097  
 DRWN: YIBA EK 2015/04/24  
 CHKD:  
 APPR: JYCHO1 2015/05/04

QUALITY SYMBOLS	GENERAL TOLERANCES (UNLESS SPECIFIED)	
	mm	INCH
▽=0	4 PLACES ± ---	± ---
▽=0	3 PLACES ± ---	± ---
	2 PLACES ± 0.15	± ---
	1 PLACE ± 0.25	± ---
	ANGULAR ± 2 °	

DIMENSION STYLE		SCALE
MM ONLY		1:1
DRAWN BY	DATE	TITLE
JSKANG	1997/11/28	NON-SEALED BULB SOCKET DOUBLE HOUSING ASS'Y (A-TYPE)
CHECKED BY	DATE	
BKCHO1	1997/11/28	
APPROVED BY	DATE	
CWLEE	1997/11/28	
MATERIAL NO.	DOCUMENT NO.	SHEET NO.
SEE TABLE 1	SD-35532-001	1 OF 1

DESIGN UNITS: METRIC  
 THIRD ANGLE PROJECTION  
 MOLEX INCORPORATED  
 THIS DRAWING CONTAINS INFORMATION THAT IS PROPRIETARY TO MOLEX INCORPORATED AND SHOULD NOT BE USED WITHOUT WRITTEN PERMISSION