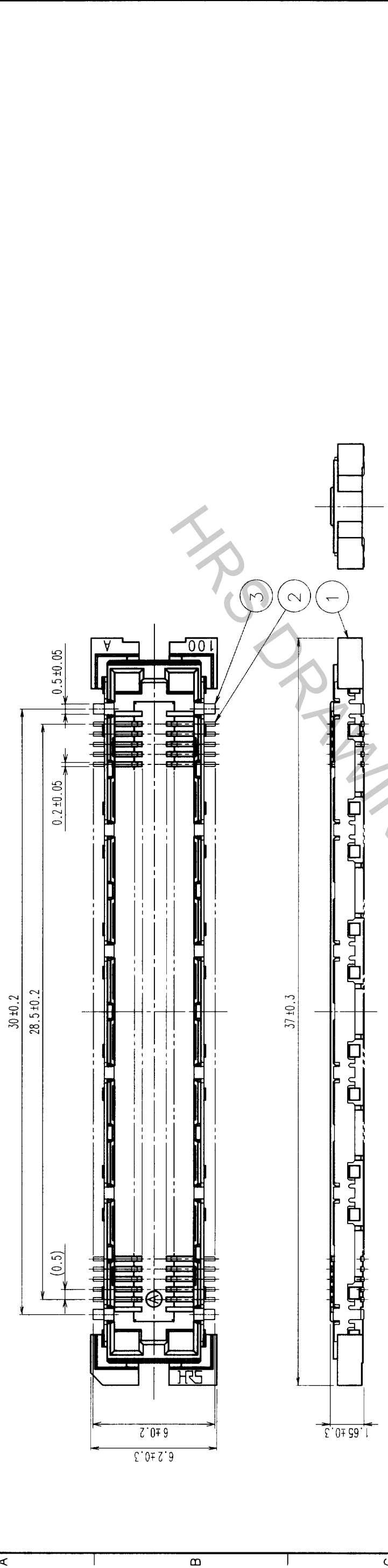
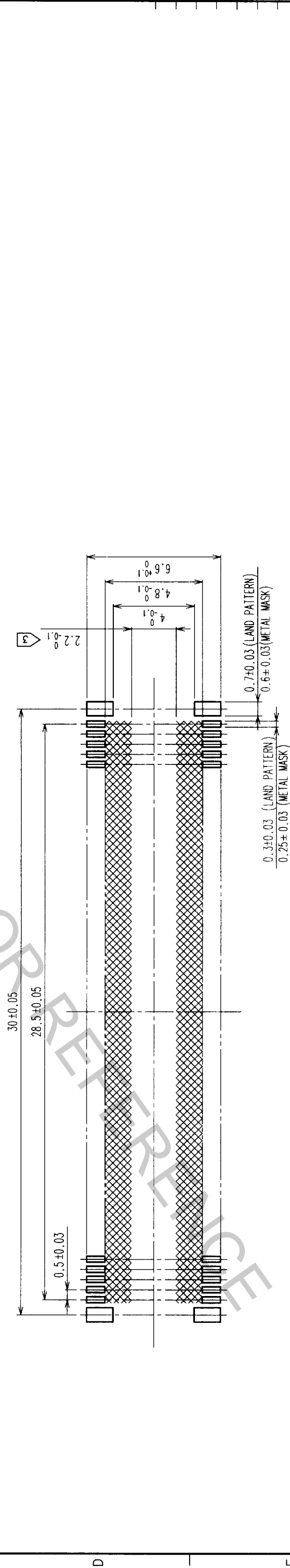


COUNT DESCRIPTION OF REVISIONS	BY	CHKD	DATE	COUNT DESCRIPTION OF REVISIONS	BY	CHKD	DATE



RECOMMENDED LAND PATTERN DIMENSION OF PCB

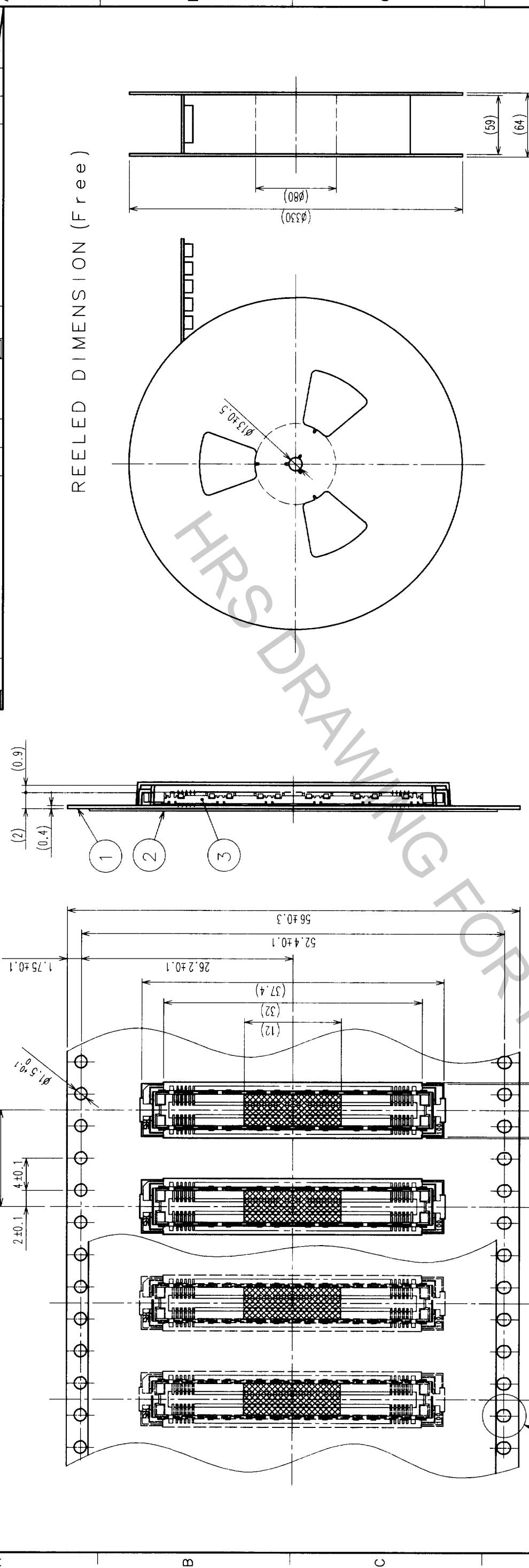


- NOTES
- SMT LEAD-COPLANARITY: 0.1 MAX.
 - THIS PRODUCT HAS NO POLARITY TO PATTERN FOR MOUNTING.
 - MAKE SURE WIDTH OF PATTERN IS WITHIN THAT OF LAND, OR LEAD MAY TOUCH PATTERN. (THIS APPLIES TO HATCHED AREA.)
 - TO BE EMBOSSED CARRIER TAPED AS SPECIFIED IN SHEET 2.

PHOSPHOR BRONZE	CONTACT AREA: GOLD (0.1µm) OVER NICKEL	PHOSPHOR BRONZE	TIN PLATED	REMARKS
2	LEAD: GOLD FLASH OVER NICKEL	3		
1	BEIGE UL94V-0	NO.	MATERIAL	FINISH, REMARKS
CL	CL	DESIGNED	CHECKED	APPROVED
		DRAWN		RELEASED
		M. Saitoh M. Saitoh 99.10.27 99.10.28 99.10.28		
		PART NO. FX11LB-116S-SV (22) DRAWING NO. EDC3-152122-02 CODE NO. CL573-0154-5-22		
		SCALE 5:1 UNITS mm		

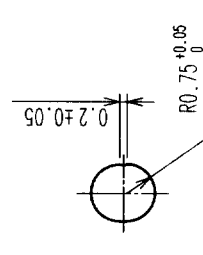
TO	
PCK	

COUNT	DESCRIPTION OF REVISIONS	BY	CHKD	DATE	COUNT	DESCRIPTION OF REVISIONS	BY	CHKD	DATE
1					1				
2					2				
3					3				



THE DIRECTION OF PULLING OUT

A (5:1)



DETAIL FOR TAPE PICKUP (5:1)

- NOTES 1 1 REEL: 1000 CONNECTORS.
- 2 MINIMUM 10 COMPARTMENTS FROM BOTH REEL ENDS REMAIN EMPTY.
- 3 THIS PRODUCT HAS NO POLARITY TO TAPE AND REEL PACKAGING.

NO.	MATERIAL	FINISH, REMARKS	NO.	MATERIAL	FINISH, REMARKS
2	PET	TOP COVER TAPE	4	POLYIMIDE	(TAP FOR VACUUM PICKUP)
1	PS	EMBOSSED CARRIER TAPE	3	(CONNECTOR)	

CODE NO. (OLD)	CL	DRAWN	DESIGNED	CHECKED	APPROVED	RELEASED
		<i>M. Saitoh</i>	<i>M. Saitoh</i>	<i>M. Saitoh</i>	<i>M. Saitoh</i>	

DRAWING NO.	PART NO.
EDC3-152122-02	FX11LB-116S-SV(22)

SCALE	UNITS	CODE NO.
2:1	mm	CL573-0154-5-22

TO	
PCK	

2	
---	--

2	
---	--

2	
---	--