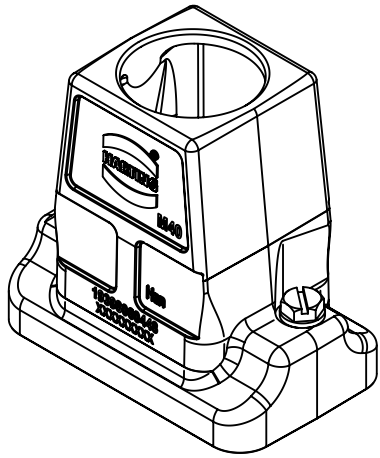
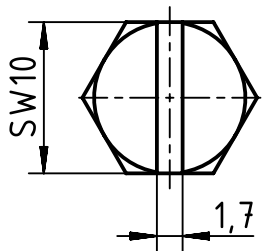


1 2 3 4 5 6

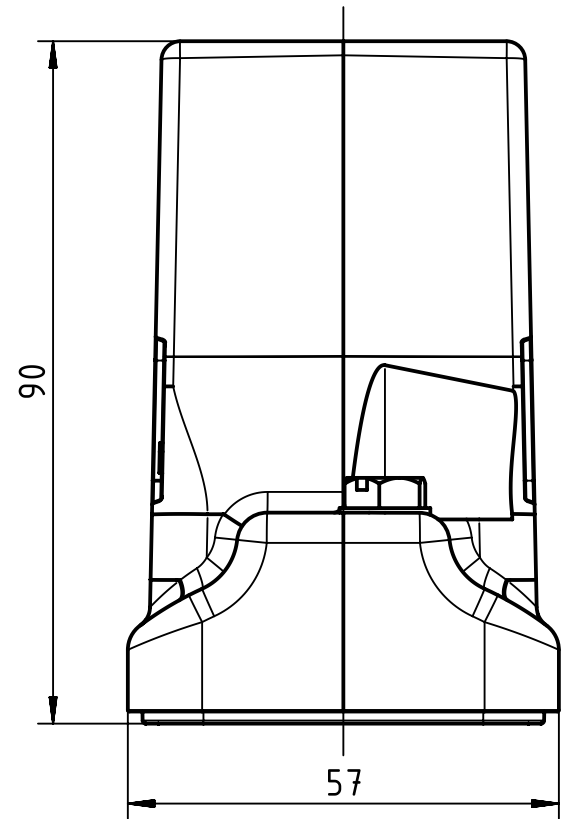
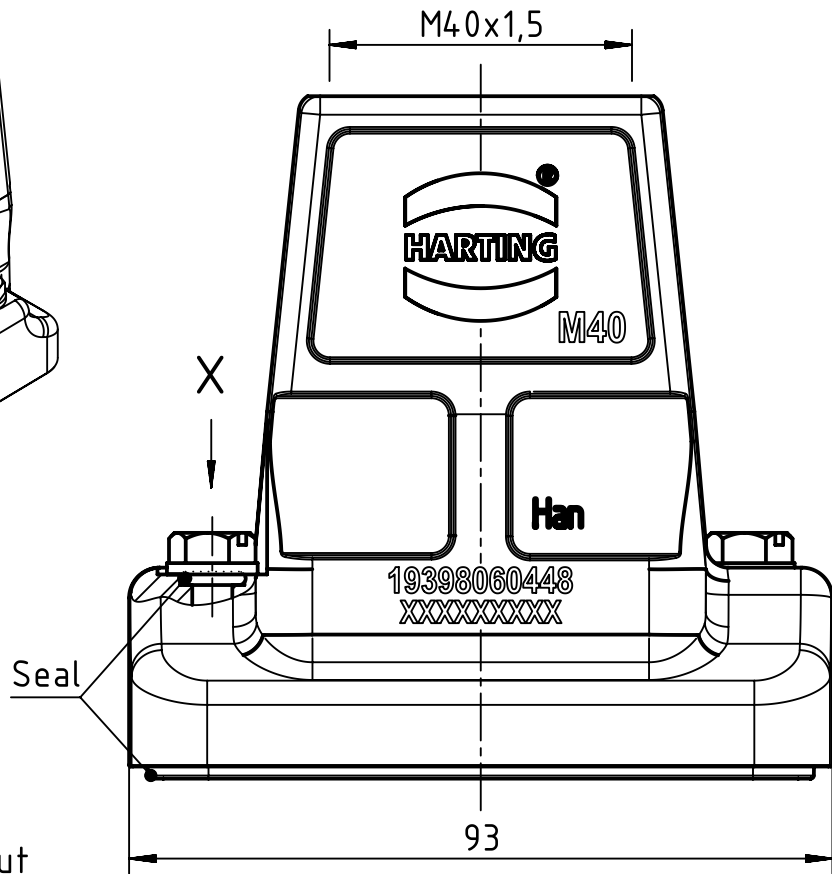
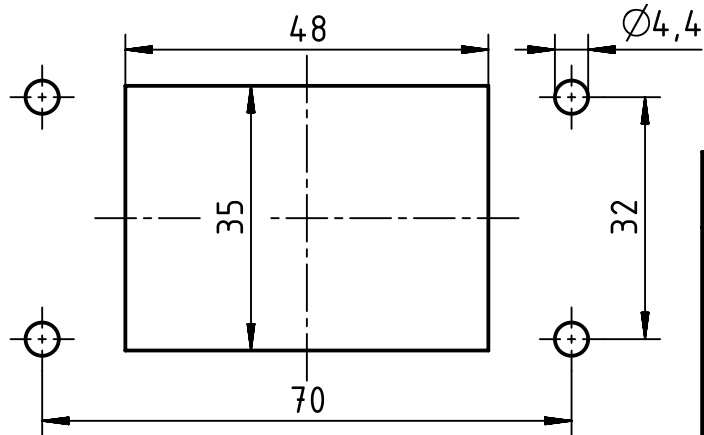
A
B
C
D



X (2:1)



Panel cut out



	All Dimensions in mm Original Size DIN A4		Scale 1:1	Free size tol.		Ref.
	All rights reserved Department EL PD - CN		Created by LONGL	Inspected by WENE	Standardisation SCHMIDTM	Sub.
HARTING (Zhuhai) Manufacturing Co., Ltd. 519085 Zhuhai, China			Title Han 6HP Direct/EMV-HTE-M40			Date 2017-03-20
			Number 19 39 806 0448			State Final Release
					Doc-Key / ECM-Nr. 100664940/UGD/005/C 500000116964	Rev. C Page 1/1