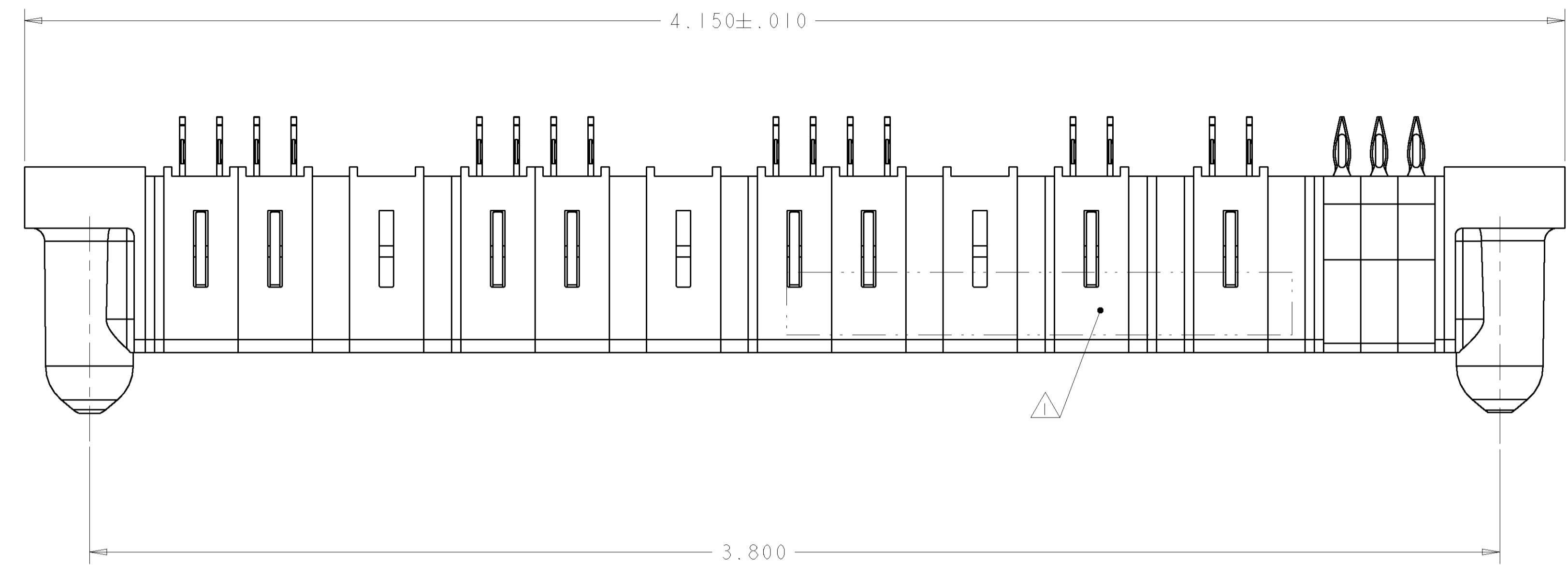
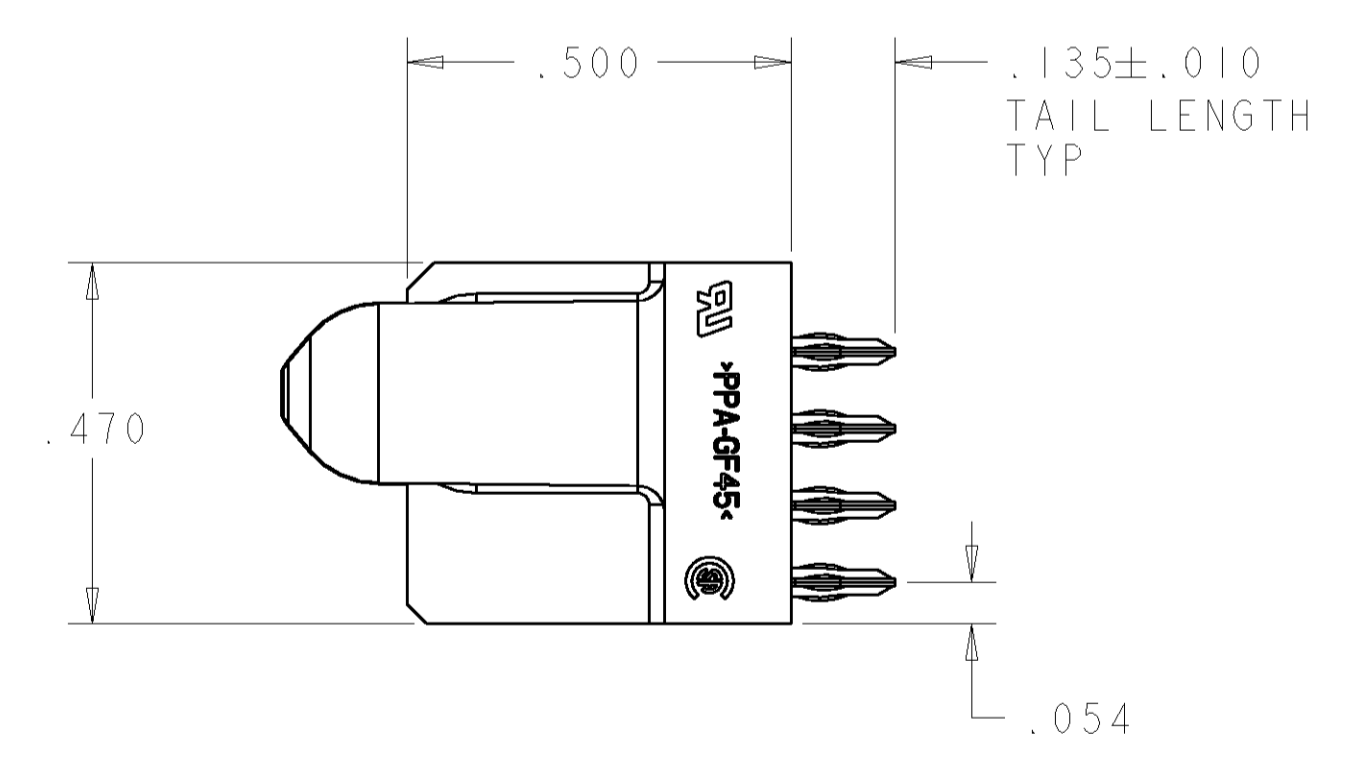
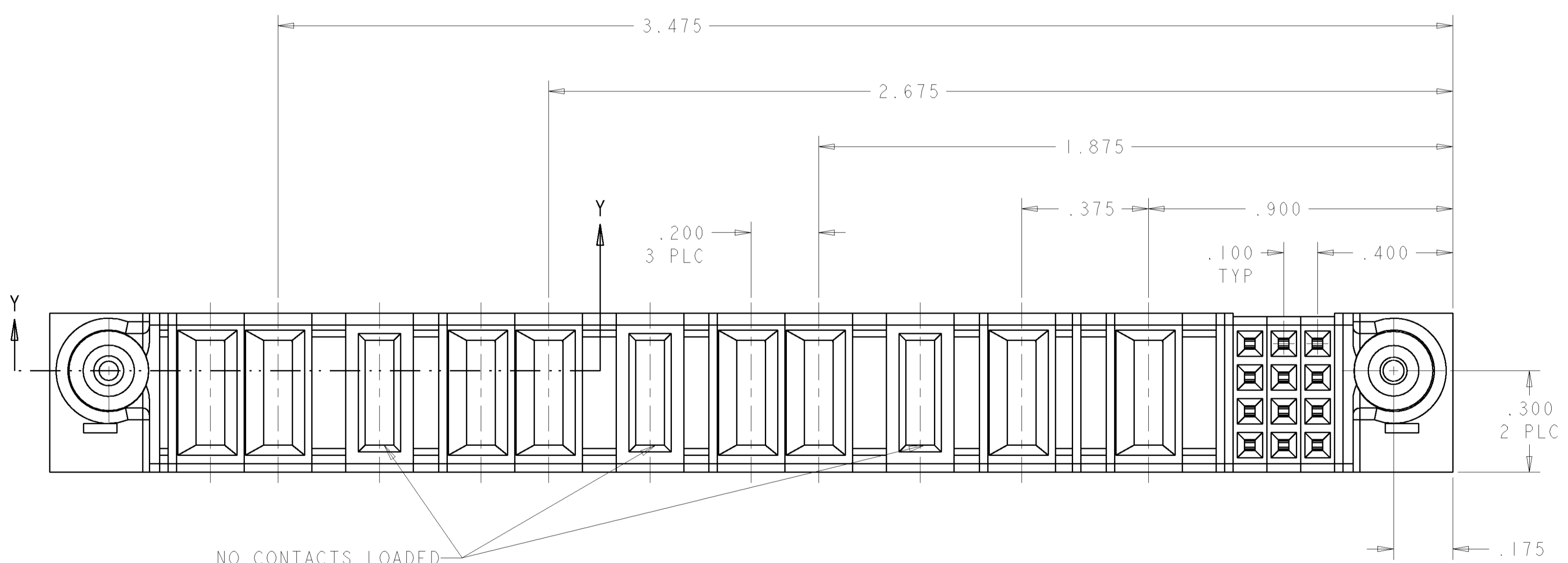


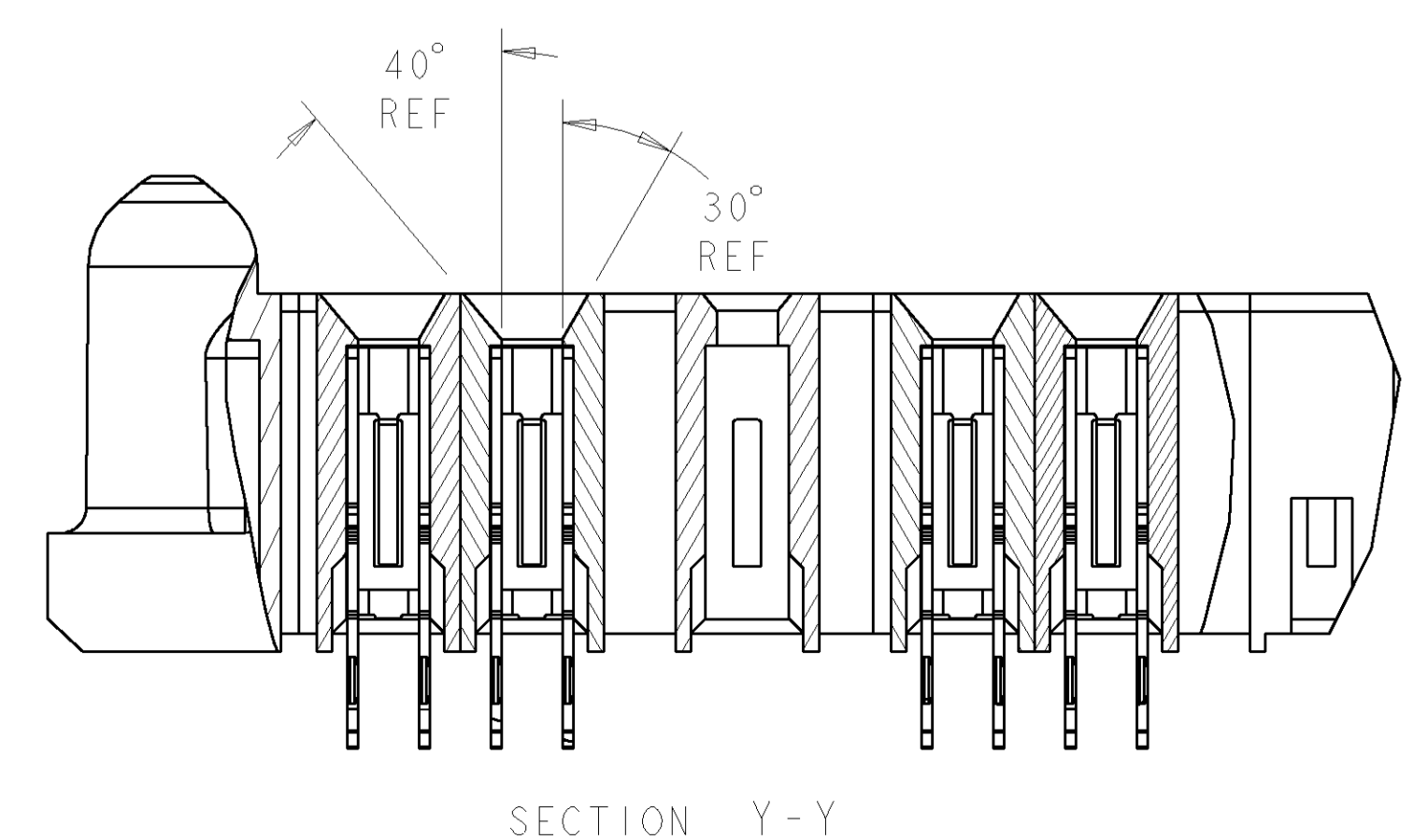
LOC	DIST	REVISIONS			
P	LTR	DESCRIPTION	DATE	DWN	APVD
1		PROPOSED DESIGN	19SEP2005	RG	MP



- 1 "AMP", PART NUMBER, AND DATE CODE TO BE MARKED IN AREA SHOWN
- 2 MATERIAL: HOUSING - GLASS FILLED HIGH TEMP THERMO PLASTIC, UL94 V-0  
 SIGNAL CONTACT - HIGH CONDUCTIVITY COPPER ALLOY  
 POWER CONTACT - HIGH CONDUCTIVITY COPPER ALLOY
- 3 CONTACT PLATING: SIGNAL CONTACTS - .000050 MIN Ni UNDER ALL  
 .000030 MIN Au ON CONTACT AREA  
 .000100 MIN Sn AT PCB INTERFACE  
 POWER CONTACTS - .000050 MIN Ni UNDER ALL  
 .000030 MIN Au ON CONTACT AREA  
 .000100 MIN Sn AT PCB INTERFACE
- 4 MECHANICAL CONNECTOR KEEP OUT ZONE
- 5 DATUM AND BASIC DIMENSIONS ESTABLISHED BY CUSTOMER
- 6 PCB - ALL HOLE DIAMETERS ARE FINISHED HOLE SIZES
- 7 PCB - .0453 ± .0010 DRILLED HOLES PLATED WITH .0003 MIN Sn OVER  
 .001 TO .003 CU PLATING TO ACHIEVE A .040 DIA HOLE



NO CONTACTS LOADED



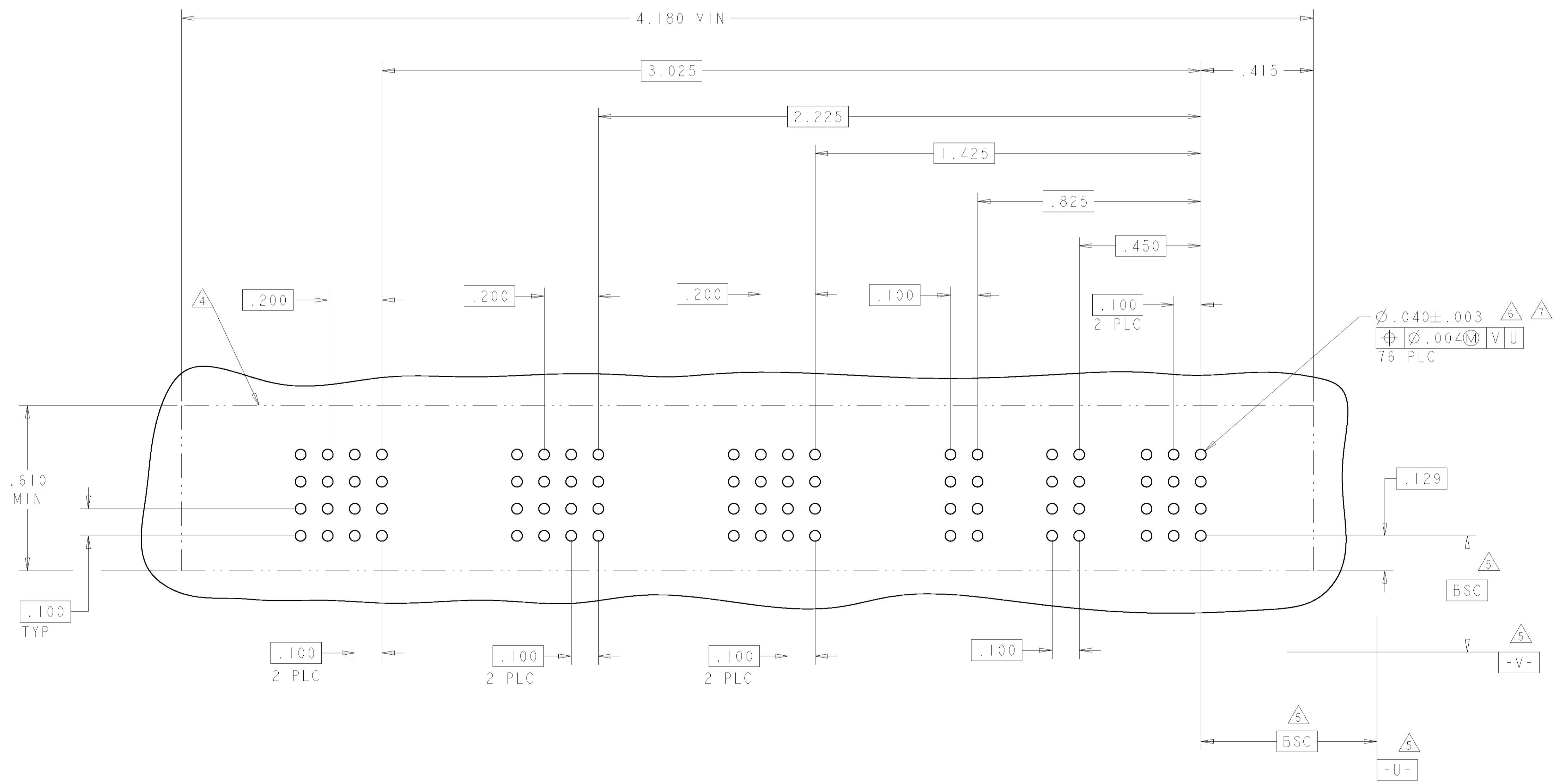
12S + 11P	1888120-1
DESCRIPTION	PART NUMBER

<small>THIS DRAWING IS UNPUBLISHED. RELEASED FOR PUBLICATION. THE INFORMATION IS CONTROLLED DOCUMENT FROM THE PROPRIETARY INFORMATION. IT IS TO BE KEPT IN CONFIDENTIALITY AND NOT TO BE REPRODUCED OR TRANSMITTED IN ANY FORM OR BY ANY MEANS, ELECTRONIC OR MECHANICAL, INCLUDING PHOTOCOPYING, RECORDING, OR BY ANY INFORMATION STORAGE AND RETRIEVAL SYSTEM, WITHOUT THE WRITTEN PERMISSION OF TYCO ELECTRONICS CORPORATION.</small>		DWN R. GRZYBOWSKI 19SEP2005	<b>tyco</b> Tyco Electronics Harrisburg, PA 17105-3608	
DIMENSIONS: INCHES		CHK M. PERCHERKE 19SEP2005	NAME VERTICAL RECEPTACLE ASSEMBLY W/ GUIDES, PRESS FIT MULTI-BEAM XL	
TOLERANCES UNLESS OTHERWISE SPECIFIED: 0 PLC ±.1 1 PLC ±.01 2 PLC ±.01 3 PLC ±.005 4 PLC ±.002 ANGLES ±.02		APVD M. PERCHERKE 19SEP2005	PRODUCT SPEC 108-1973 APPLICATION SPEC 114-13038	
MATERIAL FINISH		WEIGHT -	SIZE A100779C=1888120-1	RESTRICTED TO -
CUSTOMER DRAWING		SCALE 4:1	SHEET 1 OF 2	REV 1

LOC		DIST		REVISIONS			
P	LTR	DESCRIPTION	DATE	DNW	APVD		
-	-	SEE SHEET 1	-	-	-		

PART NUMBER	ROWS	POWER										SIGNAL			
		P11	P10	P9	P8	P7	P6	P5	P4	P3	P2	P1	3	2	1
1888120-1	D C B A	GS GS			GS GS			GS GS			GS	GS	AP	AP	AP
		GS GS			GS GS			GS GS			GS	GS	AP	AP	AP
		GS GS			GS GS			GS GS			GS	GS	AP	AP	AP
		GS GS			GS GS			GS GS			GS	GS	AP	AP	AP

NO CONTACTS LOADED



CODE	DESCRIPTION
GS	POWER CONTACT, STD
AP	SIGNAL CONTACT

CONTACT TABLE

DIMENSIONS: INCHES 		TOLERANCES UNLESS OTHERWISE SPECIFIED: 0 PLC ±.1 1 PLC ±.01 3 PLC ±.005 4 PLC ±.0020 ANGLES ±.02		DWN: R. GRZYBOWSKI 19SEP2005 ENR: M. PERCHERKE 19SEP2005 APVD: M. PERCHERKE 19SEP2005		Tyco Electronics Harrisburg, PA 17105-3608	
MATERIAL: - FINISH: -		WEIGHT: - CUSTOMER DRAWING		NAME: VERTICAL RECEPTACLE ASSEMBLY W/ GUIDES, PRESS FIT MULTI-BEAM XL SIZE: A   00779   C=1888120-1 SCALE: 4:1 SHEET 2 OF 2 REV 1		RESTRICTED TO: -	