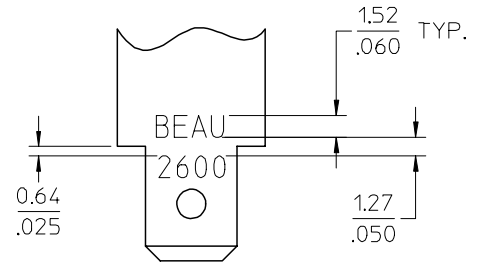
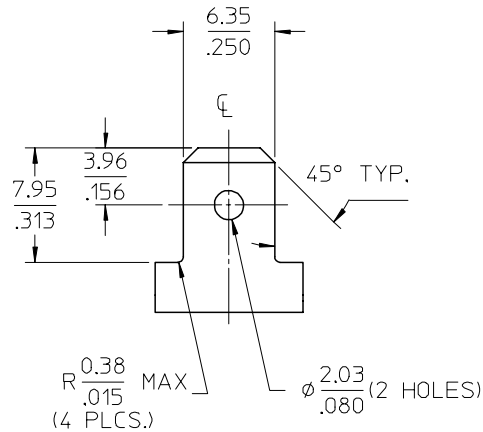
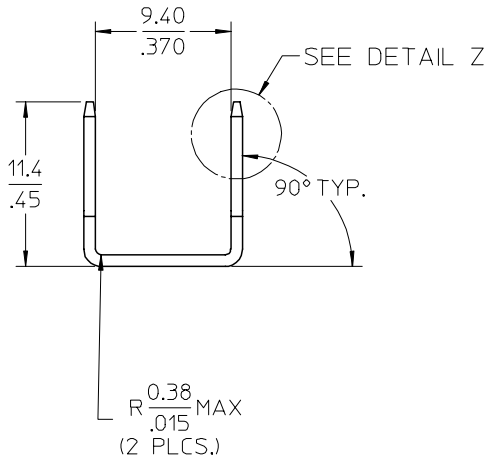


DETAIL Z
SCALE 6:1



NOTES:

1. MATERIAL: SEE TABLE
2. FINISHES: SEE TABLE
3. PRODUCT SPECIFICATION: NOT REQUIRED
4. PACKAGING: NOT REQUIRED
5. MATES WITH: NONE

38002-0441	TERMINAL, FAST TAB, VRVR	BRASS	TIN PLATE
MATERIAL NO.	DESCRIPTION	MATERIAL	FINISH

ENTER DESCRIPTION EC NO: NEO2005-0327 DRAWN: C.YORK CHKDRK APPR: GROBERTSON	2005/03/24 2005/03/29 2005/03/29	DESCRIPTION REV A	QUALITY SYMBOLS ▽=0 ▽=0	GENERAL TOLERANCES (UNLESS SPECIFIED)		DIMENSION STYLE	SCALE	DESIGN UNITS	THIRD ANGLE PROJECTION			
				mm	INCH	MM/IN	3:1	INCH				
				4 PLACES	± ---	± .0015	DRAWN BY	DATE	TITLE	TERMINAL, FAST TAB, VRVR		
				3 PLACES	± 0.038	± .005	C. YORK	2005/03/23				
2 PLACES	± 0.13	± .01	CHECKED BY	DATE	MOLEX INCORPORATED							
1 PLACE	± 0.3	± ---	APPROVED BY	DATE								
ANGULAR ± 2 °				MATERIAL NO.	38002-0441	DOCUMENT NO.	SD-38002-0441	SHEET NO.	1 OF 1			
DRAFT WHERE APPLICABLE MUST REMAIN WITHIN DIMENSIONS				SIZE	B	THIS DRAWING CONTAINS INFORMATION THAT IS PROPRIETARY TO MOLEX INCORPORATED AND SHOULD NOT BE USED WITHOUT WRITTEN PERMISSION						